

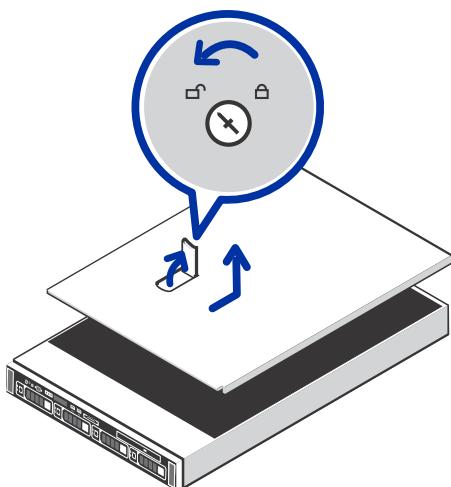
To use the Avigilon Control Center (ACC) 6 video analytics features, you need to install the NVR Analytics Kit. The NVR Analytics Kit is used to process video and analytics data managed by the ACC™ software.

**NOTE:** After the NVR Analytics Kit has been configured, you must use the ACC software version 6.8.6.4 or later to be able to make use of the kit.

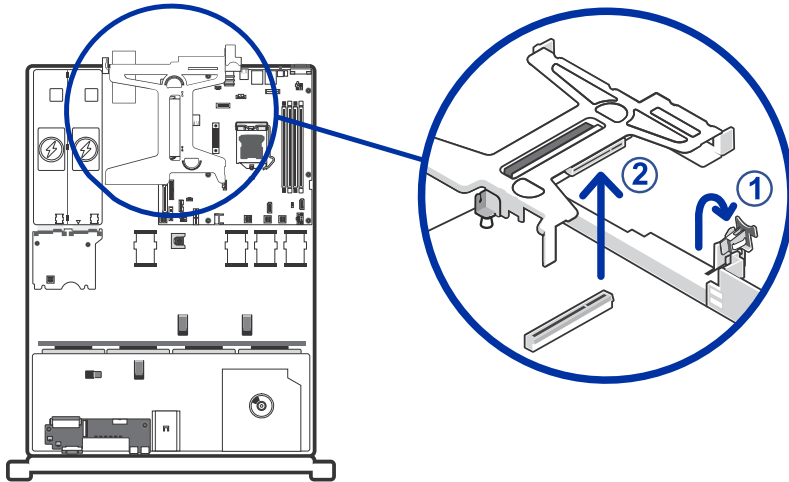
## Installing the NVR Analytics Kit into the HD-NVR3-VAL

1. Make sure the recorder is turned off.
  - All network, power, and peripheral cables are disconnected from the recorder.
  - Use a static mat or static strap to ground yourself against static shock.
2. At the top of the recorder, unlock the latch release then lift and rotate the latch towards the back of the recorder.

The cover slides back and is released from the recorder body.



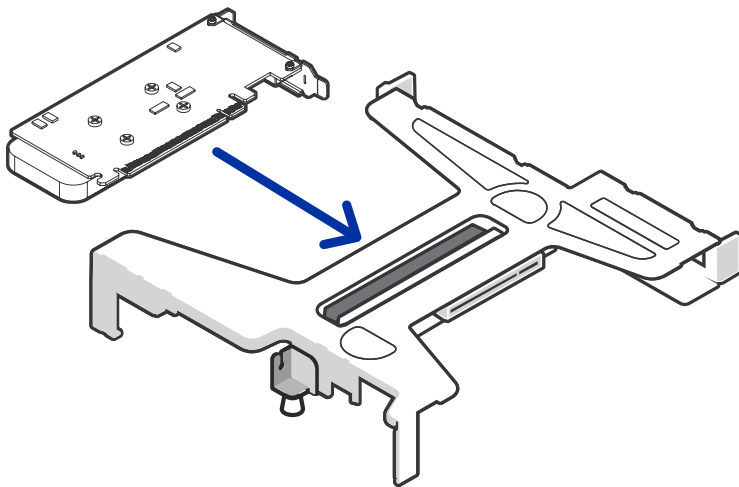
3. At the back of the recorder, locate the expansion card riser.



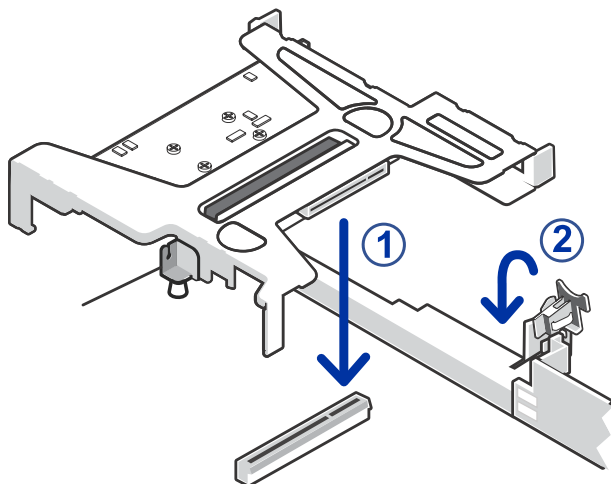
4. Lift and rotate the expansion card latch to open it.

5. Remove the expansion card riser by lifting it up from the riser connector.

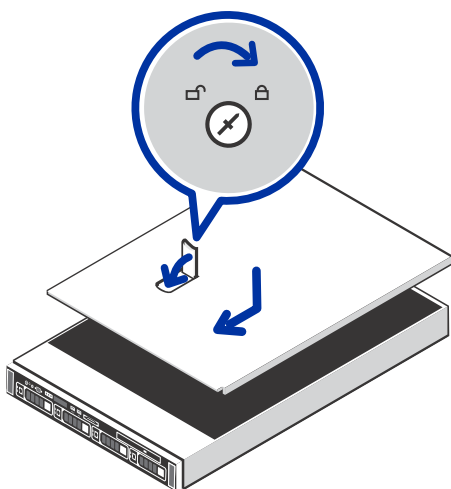
6. Insert and press the NVR Analytics Kit into the appropriate expansion riser slot.



7. Push the expansion card riser back into place and close the expansion card latch.



8. Close and lock the recorder cover.

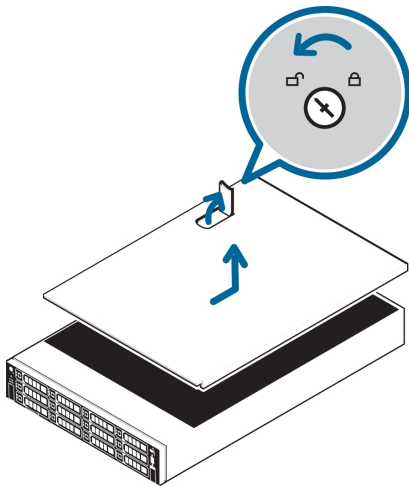


9. Reconnect all the cables and turn on the recorder.

## Installing the NVR Analytics Kit into HD-NVR3-PRM or HD-NVR3-STD

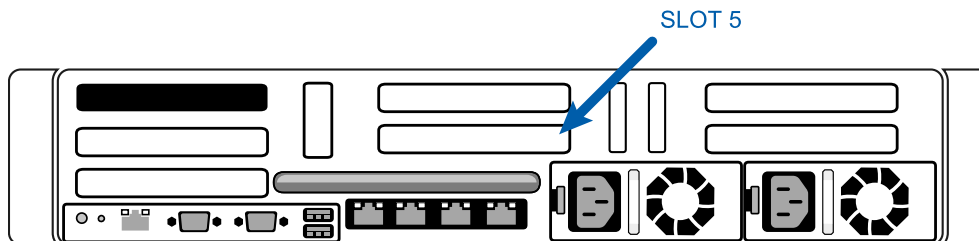
1. Make sure the recorder is turned off.
  - All network, power and peripheral cables are disconnected from the recorder.
  - It is recommended that you use a static mat or static strap to ground yourself against static shock.
2. At the top of the recorder, unlock the latch release then lift and rotate the latch towards the back of the recorder.

The cover slides back and is released from the recorder body.

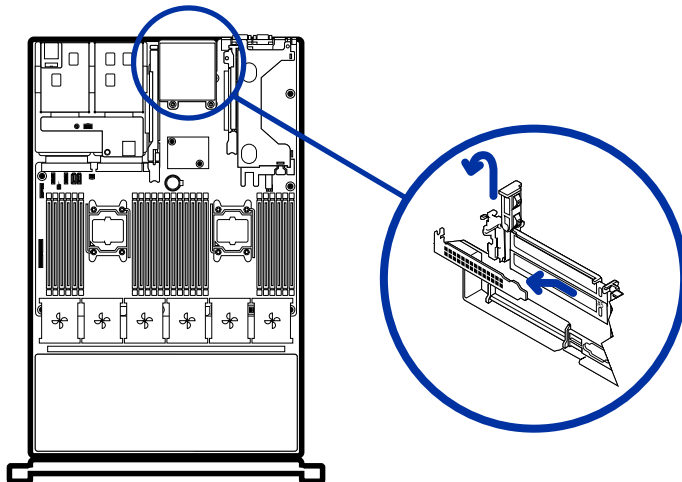


3. At the back of the recorder, locate where the NVR Analytics Kit needs to be installed.

For HD-NVR3-PRM and STD, the NVR Analytics Kit needs to be installed on riser 2 - slot 5 (the middle slot on the riser).

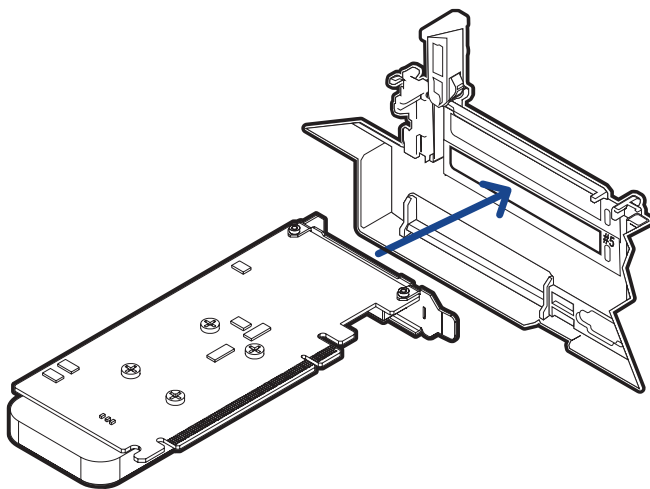


4. Lift the blue expansion card latch out of the recorder.

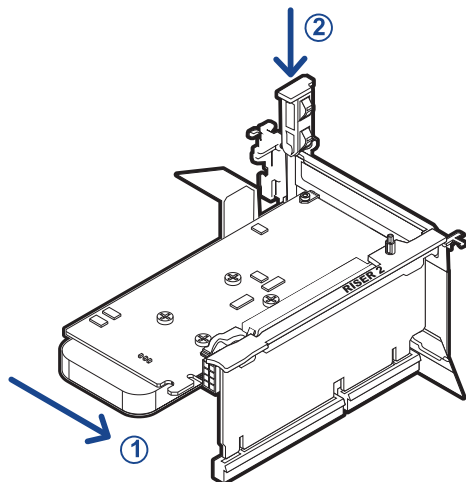


5. Remove the slot filler plate in riser 2 - slot 5.
6. Insert and press the NVR Analytics Kit into the appropriate riser slot.

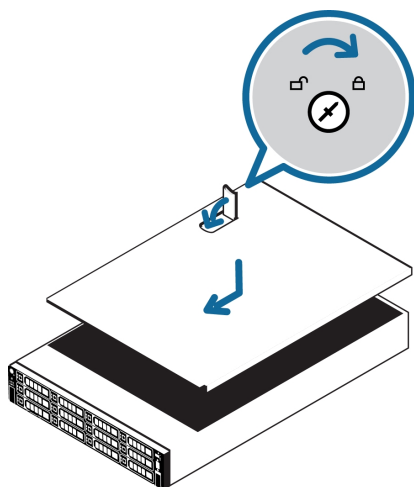
The NVR Analytics Kit needs to be installed on riser 2 - slot 5.



7. Push the blue expansion card latch back into place.



8. Close and lock the recorder cover.



9. Reconnect all the cables to the recorder.

10. Power the recorder.

11. Insert the USB flash drive provided with the NVR Analytics Kit.



12. From the USB flash drive, locate the folder for your operating system.

- HD-NVR3-PRM — ../WinServ2012/
- HD-NVR3-STD — ../Win7/

13. Right-click `...-whq1.exe` and select **Run as administrator**.

Allow the installer to run and finish.

14. Right-click `GPU Configuration Tool.exe` and select **Run as administrator**.

Allow the installer to run and finish.

After the NVR Analytics Kit has been installed, you can download, install and run the latest version of the Avigilon Control Center software.

## Installing and Configuring the NVR Analytics Kit

The provided USB drive contains the verified drivers for the NVR Analytics Kit that must be installed on the NVR appliance and the Avigilon GPU Configuration Tool software, which automatically configures the NVR Analytics Kit to operate with the AvigilonControl Center software.

1. Insert the USB flash drive provided with the NVR Analytics Kit.



2. From the USB flash drive, locate the folder for your operating system.

- HD-NVR3-PRM — ../WinServ2012/
- HD-NVR3-STD — ../Win7/ or ../Win10/
- HD-NVR3-VAL— ../Win7/ or ../Win10/

## Updating to the Latest Windows PowerShell

If the operating system on your NVR appliance is Windows 7 or Windows Server 2012, you must update Windows PowerShell.

1. If the NVR appliance is using Windows Server 2012 double-click on **Win8.1AndW2K12R2-KB3191564-x64**.
2. If the NVR appliance is using Windows 7:
  - a. Open Powershell and enter:

```
set-executionpolicy remotesigned
```

and type **Y** to confirm.
  - b. In Windows Explorer, right-click on **Install-WMF5.1.ps1** and select **Run with PowerShell**.

## Updating the Drivers

For all NVR appliances, you must update the driver software .

1. If the NVR appliance is using:
  - Windows Server 2012: Right-click on **<nnn.nn>-<platform-2012>whql.exe** and select **Run as administrator**.
  - Windows 7: Right-click on **<nnn.nn>-<platformwin7>whql.exe** and select **Run as administrator**.
  - Windows 10: Right-click on **<nnn.nn>-<platformwin10>whql.exe** and select **Run as administrator**
2. Right-click **GPU Configuration Tool.exe** and select **Run as administrator**.

Allow the installer to run and finish.



After the NVR Analytics Kit has been installed, you can download, install and run the latest version of the Avigilon Control Center software.

## Run the Avigilon Configuration Tool

Right-click **GPU Configuration Tool.exe** and select **Run as administrator**.

Allow the Configuration Tool to run and finish. You will see the message **System Rebranding Requested**, and several processing messages as the system is reconfigured for the new GPU provided with the NVR Analytics Kit. The process takes under ten minutes. After it completes the NVR appliance will automatically restart.

After the NVR Analytics Kit has been installed, you can download, install and run the latest version of the Avigilon Control Center software.

## Troubleshooting the NVR Appliance Fans

On NVR STD or NVR PRM appliances after the NVR Analytics Kit has been installed and configured and the recorder restarted, check the fan speed. Normally, the fan speed should slow down and the fan noise noticeably drop shortly after powering on. If the fan noise does not decrease, open a PowerShell window and enter:

```
racadmin reset
```

---

© 2016-2018, Avigilon Corporation. All rights reserved. AVIGILON, the AVIGILON logo, AVIGILON CONTROL CENTER and ACC are trademarks of Avigilon Corporation. Other names or logos mentioned herein may be the trademarks of their respective owners. The absence of the symbols ™ and ® in proximity to each trademark in this document or at all is not a disclaimer of ownership of the related trademark. Avigilon Corporation protects its innovations with patents issued in the United States of America and other jurisdictions worldwide (see [avigilon.com/patents](http://avigilon.com/patents)). Unless stated explicitly and in writing, no license is granted with respect to any copyright, industrial design, trademark, patent or other intellectual property rights of Avigilon Corporation or its licensors.

Avigilon Corporation  
avigilon.com  
PDF-QSG-GPU-B  
Revision: 1 - EN  
20181130