

16 Megapixel H.264 Pro Color Camera with LightCatcher™ Technology



Avigilon's end-to-end surveillance solutions deliver image detail no other system can match. Avigilon Control Center software, featuring High Definition Stream Management (HDSM)™ technology combined with our broad range of megapixel cameras (from 1 MP to 29 MP) provide unprecedented clarity—while effectively managing storage and bandwidth requirements. Our components are scalable and can work together in an end-to-end system, or can be customized to create your own powerful and cost-effective solution.

The innovative HD Pro camera is just one way Avigilon can help provide the very best monitoring and protection.



Avigilon's HD Pro cameras start at 8 MP and go all the way up to an industry-leading 16 MP - using EF and EF-S mount lenses for the best optical quality. Built on Avigilon's upgraded H4 platform, these cameras deliver superior image detail while providing improved bandwidth management to optimize network performance. These cameras also come with on-board storage capabilities, allowing you to store video footage directly on the device using a standard SD card.

Avigilon's HD Pro cameras are ideal for covering vast areas requiring unparalleled detail, making them effective for monitoring stadiums, airports, transportation facilities, critical infrastructure and municipal grounds and buildings.

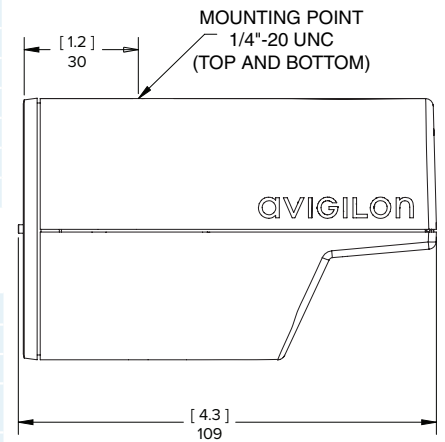
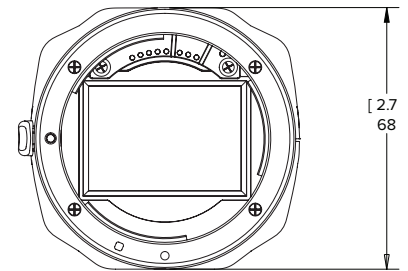
KEY FEATURES

- 16 megapixel progressive scan CMOS sensor
- Avigilon's LightCatcher technology provides unsurpassed image quality in low light environments
- 10 images per second at full resolution
- H.264 and Motion JPEG compression
- 70 dB true dynamic range
- SD card slot for onboard storage support
- Multiple video streams
- Compatible with a wide selection of EF and EF-S mount lenses
- Power over Ethernet, 24 VAC or 12 VDC power input
- Audio Input and Output
- External I/O and RS-485 interface

Specifications

Outline Dimensions

| CAMERA | |
|---|---|
| Image Sensor | 28.4 mm (1.12") progressive scan CMOS |
| Active Pixels | 4944 (H) x 3280 (V) |
| Imaging Area | 23.6 mm (H) x 15.7 mm (V) (0.93" (H) x 0.62" (V)) |
| Minimum Illumination | 0.005 lux (at F1.4) |
| Dynamic Range | 70 dB |
| Lens Mount | EF and EF-S (SLR-style bayonet) |
| Image Compression Method | H.264 (MPEG-4 Part 10/AVC), Motion JPEG |
| Image Rate | 10 |
| Streaming | Multi-stream H.264 and Motion JPEG |
| Resolution Scaling | Down to 3072 x 1728 |
| Motion Detection | Selectable sensitivity and threshold |
| Electronic Shutter Control | Automatic, Manual (1 to 1/8000 sec) |
| Iris Control | * Automatic, Manual |
| Focus Control | * Automatic, Manual |
| Flicker Control | 50 Hz, 60 Hz |
| White Balance | Automatic, Manual |
| Privacy Zones | Up to 4 zones |
| Audio Compression Method | G.711 PCM 8 kHz |
| Audio Input/Output | Line level, mini-jack (3.5 mm) |
| External I/O Terminals | Alarm In, Alarm Out, RS-485 |
| * dependent on selected lens capability | |



| NETWORK | |
|---------------------|---|
| Network | 100BASE-TX |
| Cabling Type | CAT5 |
| Connector | RJ-45 |
| Security | Password protection, HTTPS encryption, digest authentication, WS authentication, user access log. |
| Protocol | IPv4, HTTP, HTTPS, SOAP, DNS, NTP, RTSP, RTP, TCP/UDP, IGMP, ICMP, DHCP, Zeroconf, ARP |
| Streaming Protocols | RTP/UDP, RTP/UDP multicast, RTP/RTSP/TCP, RTP/RTSP/HTTP/TCP, RTP/RTSP/HTTPS/TCP, HTTP |

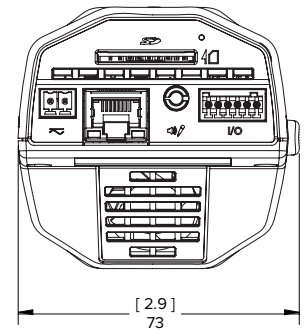
| MECHANICAL | |
|------------------------|---|
| Dimensions (L x W x H) | 109 mm x 73 mm x 68 mm (4.3" x 2.9" x 2.7") |
| Weight | 0.37 kg (0.8 lb) |
| Camera Mount | 1/4"-20 UNC (top and bottom) |
| Onboard Storage | SD/SDHC/SDXC slot - minimum class 6; class 10 & 64 GB or better recommended |

| ELECTRICAL | |
|-------------------|---|
| Power Consumption | 10 W — camera only |
| Power Source | VDC: 12 V +/- 10%, 10 W VAC: 24 V +/- 10%, 14.3 VA PoE: IEEE802.3af Class 3 compliant |
| Power Connector | 2-pin terminal block |

| ENVIRONMENTAL | |
|-----------------------|------------------------------------|
| Operating Temperature | -10 °C to +50 °C (14 °F to 122 °F) |
| Storage Temperature | -10 °C to +70 °C (14 °F to 158 °F) |

| CERTIFICATIONS | | | |
|---------------------------|--|------------------------------|-------------------------------|
| Safety | UL 60950 CSA 60950 | EN 60950-1 CE | ROHS WEEE |
| Electromagnetic Emissions | FCC Part 15 Subpart B Class B | IC ICES-003 Class B | EN 55022 Class B |
| Electromagnetic Immunity | EN 55024 Class B EN 61000-4-2 EN 61000-4-3 | EN 61000-4-5 EN 61000-4-4 | EN 61000-4-6 EN 61000-4-11 |

| ORDERING INFORMATION | |
|----------------------|--|
| 16L-H4PRO-B | 16 Megapixel H.264 Pro Color Camera with LightCatcher Technology |



| | |
|-------|--------|
| [X.X] | INCHES |
| X | MM |